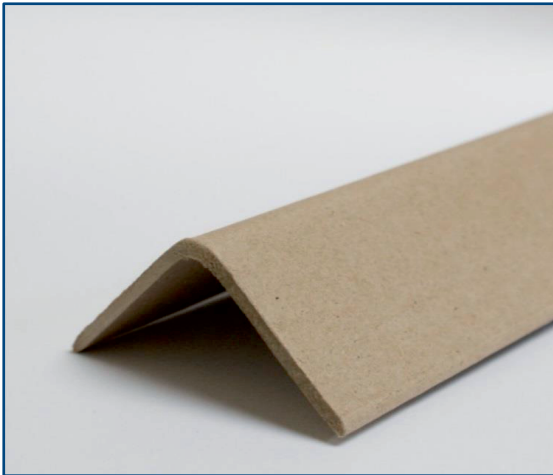




MADE IN INDIA
100% RECYCLABLE

B | BANDBOARD

Bandboard Specification Sheet



Description

Multiple plies of recycled paper, laminated together and formed into a rigid right angle. Used to brace and support, prevent crushing from shrink wrap and protect edges of product from damage caused by storage, transit or strapping. Warehouse storage capacity can be greatly enhanced and transport costs reduced with the ability to stack pallets.

Composition

100% Recycled paper, fully wrapped 250 gram Gloden paper Kraft 300 Gram, Seven Layer Environmentally friendly PVA glue Fully Recyclable.

Sizes (mm)

Length(D) : 600 mm

A	A	A
70	70	70 MM

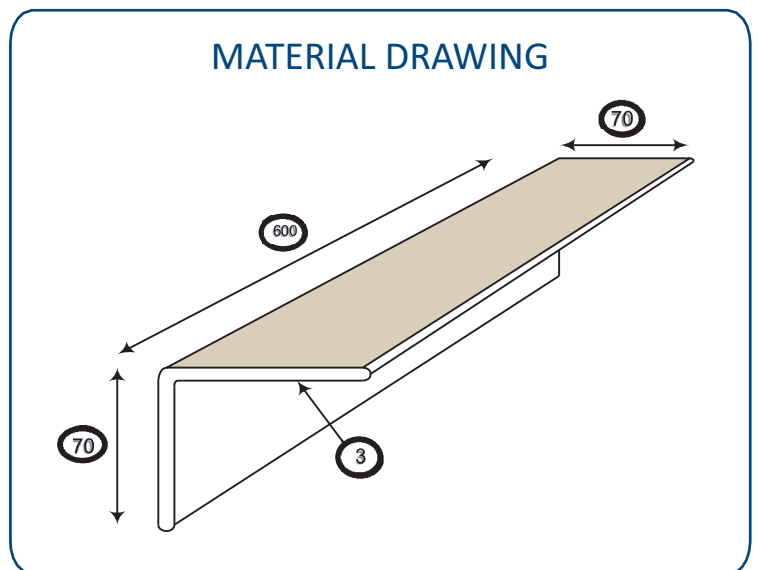
Note: 0.5 mm increments on thickness and offset legs available on some sizes

Tolerances

Legs: +/- 5mm*
Thickness: +/- 0.4mm*
Length: +/- 5mm
Angle: +/- 10°
(*Average of 2 legs)

Model No. FG

Dimensions are in mm unless otherwise specified.



100% Recyclable

BANDMA[®]
we innovate. we care.

We've got all the angles covered.